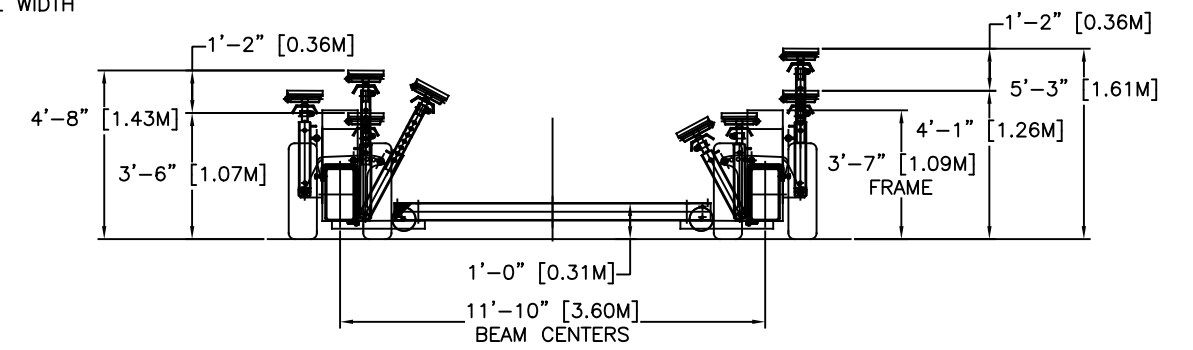
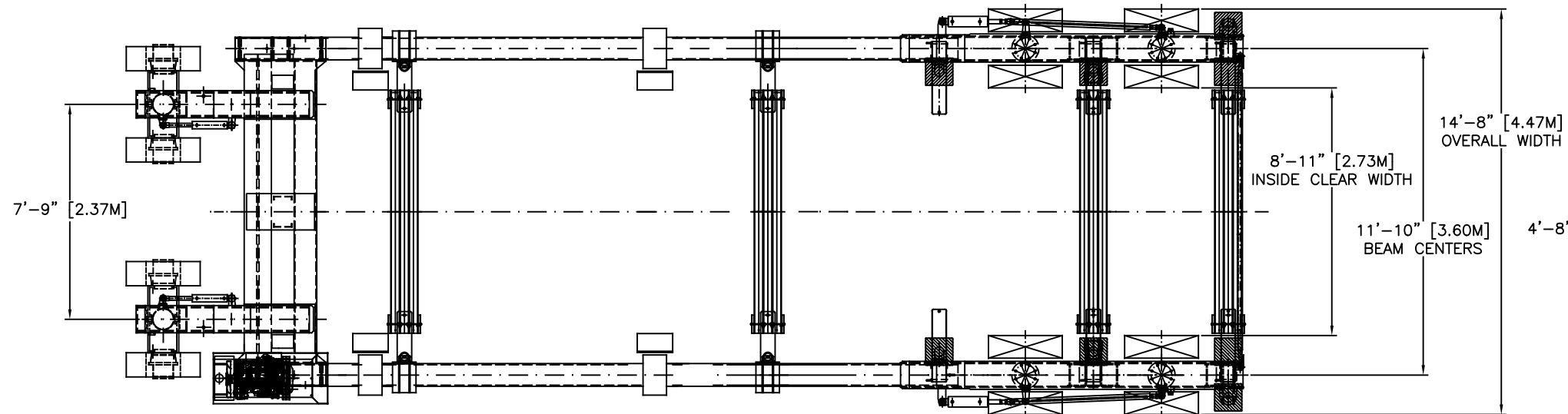


OPTIONAL HIGH WHEEL LIFT CYLINDER MAX STROKE (500mm)



WHEEL LIFT CYLINDER MIN STROKE

OPTIONS SHOWN:

1. (2) PAIRS MECHANICAL INCLINABLE MOVEABLE PADS (INSIDE)
2. (3) PAIRS MECHANICAL INCLINABLE FIXED PADS (INSIDE)
3. (2) PAIRS MOVEABLE PICK-UP LEGS
4. (3) PAIR FIXED PICK-UP LEGS
5. (4) ALUMINUM KEEL BEAMS ON WHEELS
6. (1) PAIR MECHANICAL NON-INCLINABLE FIXED PADS (OUTSIDE)
7. INCREASED POWERED WHEEL LIFT (500mm)
8. IMPROVED LOWING SPEED (EMPTY)

CUSTOMER SIGNATURE _____ PRINTED NAME _____ DATE _____

DEALER SIGNATURE _____ PRINTED NAME _____ DATE _____

THIS DOCUMENT MAY CONTAIN CONFIDENTIAL, PRIVILEGED OR PROPRIETARY INFORMATION AND IS INTENDED SOLELY FOR THE USE OF THE INDIVIDUAL, GROUP OR ENTITY TO WHOM IT IS ADDRESSED AND MUST NOT BE SHARED WITH THIRD PARTIES WITHOUT THE WRITTEN CONSENT OF MARINE TRAVELIFT INC. THE CONTENT OF THIS DOCUMENT IS FOR INFORMATIONAL PURPOSES ONLY AND DOES NOT REPRESENT A CONTRACT OR ENGAGEMENT OF ANY SORT. IF YOU ARE NOT THE INTENDED RECIPIENT YOU ARE NOTIFIED THAT DISCLOSING, COPYING, DISTRIBUTING OR TAKING ANY ACTION IN RELIANCE ON THE CONTENTS OF THIS INFORMATION IS STRICTLY PROHIBITED.

THIS DOCUMENT AND THE INFORMATION CONTAINED HEREIN IS THE PROPERTY OF MARINE TRAVELIFT INC. AND SHALL NOT BE DISCLOSED OR USED BY A RECIPIENT EXCEPT AS SPECIFICALLY AUTHORIZED BY MARINE TRAVELIFT INC.

PROJECT NUMBER	127-0200
MODEL	
TYPE	GENERAL ARRANGEMENT
ORDER NUMBER	

LATEST REVISION DESCRIPTION	
INITIAL RELEASE	

ALL DIMENSIONS ARE NOMINAL	
NAME	DATE
DRAWN	TWK 11/8/2022
REVISED	TWK 11/8/2022
APPROVED	

PRELIMINARY

SIZE B

MARINE TRAVELIFT SHUTTLELIFT

49 EAST YEW STREET STURGEON BAY, WI 54235

TRANSPORTER - TM60

CITY OF CORDOVA

SCALE NS

SHEETS 1 OF 1

DRAWING NUMBER 1401371AT